

Basic Unit 1: Panic Lock



Features

- For wooden or steel doors
- For rebated or non-rebated doors
- Suitable for application in escape and rescue routes
- Suitable for DIN left hand and DIN right hand
- Prepared for single profile cylinder
- Certified according to EN 1125:97, Classification 3-7-5-1-1-3-2-2-A

Technical data

Lever follower

□ 8 mm

Distance (b)

50 mm

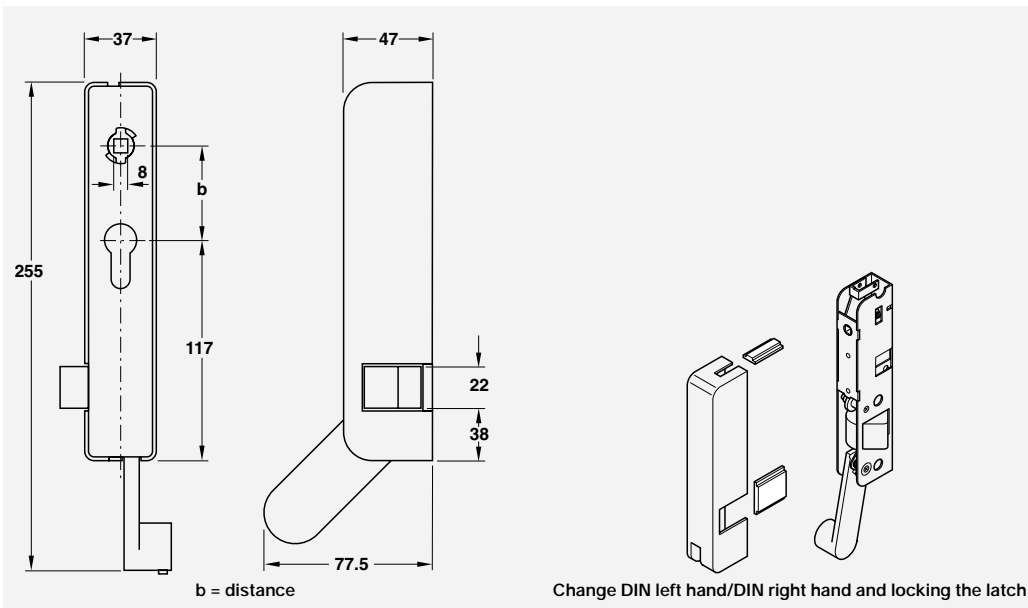
Supplied with

- 2 Locking plates
- 1 Set of fastening material
- 1 Fitting instructions
- 1 Certified according to EN 1125:97

Door Locks and Door Bolts

Mortise locks

for escape routes



Finish	Ⓐ	Ⓑ	Ⓒ
Housing	Steel black lacquered	Steel white lacquered	Steel grey lacquered
Internal housing	Steel yellow chromated	Steel yellow chromated	Steel yellow chromated
Latch	Stainless steel	Stainless steel	Stainless steel
Lever follower	Zinc diecast	Zinc diecast	Zinc diecast



Ⓐ	911.52.270
Ⓑ	911.52.271
Ⓒ	911.52.272

Basic unit 2

Lever handle page 91.130

Basic unit 3

Single profile cylinder . page 91.131

Basic unit 4

Staple plates und bolt bars
..... page 91.132

Handle Bar

Door Locks and
Door Bolts

Mortise locks

for escape routes



Features

- Suitable for basic unit 1: Panic lock

Technical data

Diameter 25 mm



Aluminium black
lacquered RAL 9011



Aluminium silver
colour anodized



Stainless steel matt

	1000 mm	1200 mm	1500 mm
Aluminium black lacquered RAL 9011	911.52.273	911.52.274	911.52.275
Aluminium silver colour anodized	911.52.276	911.52.277	911.52.278
Stainless steel matt	911.52.279	911.52.280	911.52.281

Basic Unit 2: Lever handle

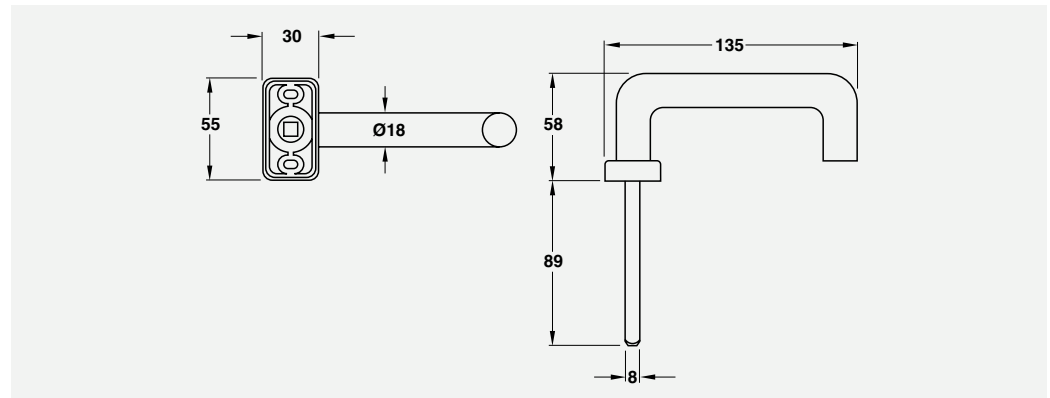


Features

- Lever handle female part with rosette and square spindle

Technical data

Square spindle 8 mm



Finish	Ⓐ	Ⓑ	Ⓒ
Lever handle aperture part	Zinc diecast black lacquered	Zinc diecast white lacquered	Zinc diecast grey lacquered
Rosette	Plastic black	Plastic white	Plastic grey
Square spindle	Steel yellow chromated	Steel yellow chromated	Steel yellow chromated



Ⓐ	911.52.285
Ⓑ	911.52.286
Ⓒ	911.52.287

Fixing material supplied

Basic Unit 3: Single Profile Cylinder



Features

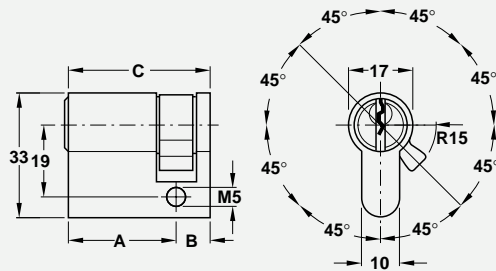
- Suitable for basic unit 1: Panic lock
- Only in connection with basic unit 2: Lever handle insertable
- Complies with DIN V 18.254
- With 5 pin tumblers
- Follower adjustable in 8 positions
- Single profile cylinder: Brass nickel plated matt, glass ball blasted

Fixing

Length A results from: Door leaf thickness + 11 mm + cylinder rosette

Supplied with

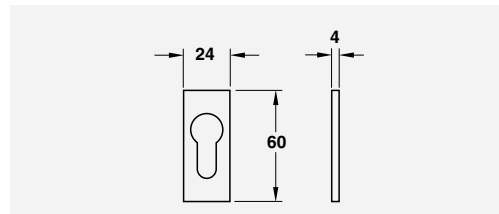
- 1 Single profile cylinder
- 3 Nickel plated steel keys
- 1 Fixing screw



Length A	Length B	Length C	Random key changes			
			Keyed alike	Key change S11	Key change S12	Key change S13
27,5 mm	10 mm	37,5 mm	916.00.601	916.00.611	916.00.621	916.00.631
31,5 mm	10 mm	41,5 mm	916.00.602	916.00.612	916.00.622	916.00.632
35,5 mm	10 mm	45,5 mm	916.00.603	916.00.613	916.00.623	916.00.633
40,5 mm	10 mm	50,5 mm	916.00.604	916.00.614	916.00.624	916.00.634
55,5 mm	10 mm	65,5 mm	916.00.605	-	-	-
60,5 mm	10 mm	70,5 mm	916.00.606	-	-	-
65,5 mm	10 mm	75,5 mm	916.00.607	-	-	-

Accessories

Cylinder Rosette



Features

- Suitable for basic unit 3: Single profile cylinder



Plastic black



Plastic white



Plastic grey

Plastic black	911.52.290
Plastic white	911.52.291
Plastic grey	911.52.292

Fixing material supplied

Door Locks and Door Bolts

Mortise locks

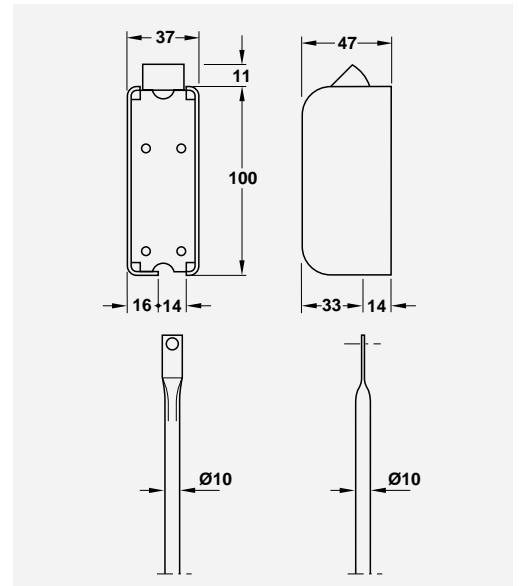
for escape routes

Basic Unit 4: Latch Parts and Bolt Bars

Door Locks and Door Bolts

Mortise locks

for escape routes



Features

- Suitable for basic unit 1: Panic lock
- For wooden or steel doors
- For rebated or non-rebated doors
- Suitable for application in escape and rescue routes
- Suitable for DIN left hand and DIN right hand
- Suitable for door leaf height up to 2650 mm

Supplied with

- 2 Latch parts and covers
- 2 Bolt bars top and bottom
- 3 Bar guides
- 2 Locking plates
- 1 Set of fastening material
- 1 Fitting instructions

Finish	Ⓐ	Ⓑ	Ⓒ
Covers	Steel black lacquered	Steel white lacquered	Steel grey lacquered
Latch parts	Steel yellow chromitized	Steel yellow chromitized	Steel yellow chromitized
Latch	Stainless steel	Stainless steel	Stainless steel
Bolt bars	Steel black lacquered	Steel white lacquered	Steel grey lacquered
Bar guides	Plastic black	Plastic white	Plastic grey



Steel black lacquered



Steel white lacquered



Steel grey lacquered



Stainless steel

Ⓐ	911.52.300
Ⓑ	911.52.301
Ⓒ	911.52.302