

## Sliding Door Fitting Junior 120/GP



### Features

- For 1- and 2-leaf sliding doors
- For glass thickness 8, 10 and 12 mm
- Low installation height
- Height adjustable door leaves
- Point fixing with glass retainer
- Suspension with suspension screw
- Low wear and tear
- Quiet running action

### Finish

- Running track: Light metal clear anodized
- Running gear with plastic rollers
- Floor guide free of play: Plastic

### Installation information

In case of 2-leaf sliding doors, ensure that the glass cannot knock against each other  
Use guide track with buffers

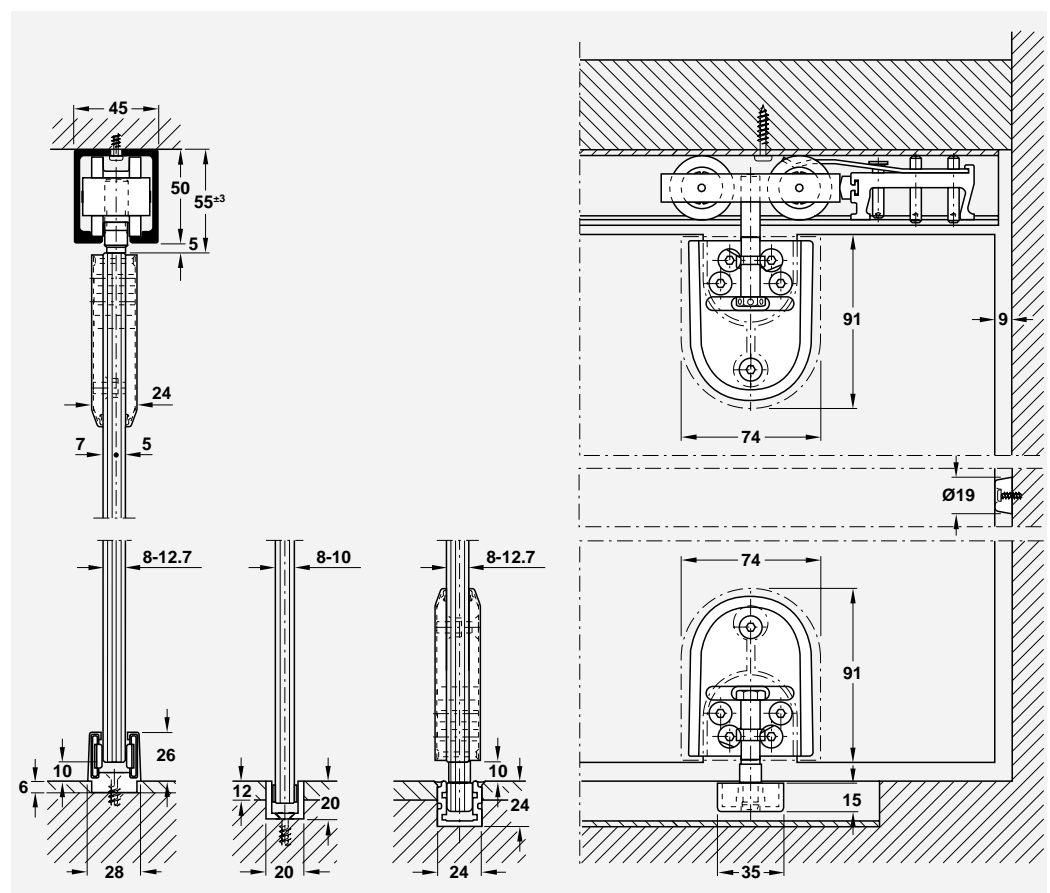
### Technical data

max. weight per door leaf

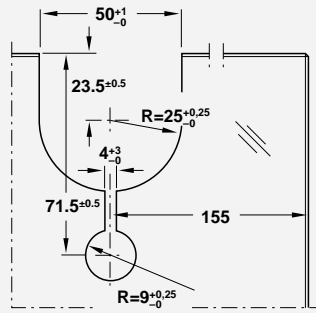
120 kg

## Sliding Door Fittings

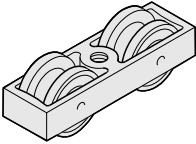
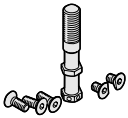
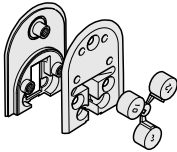
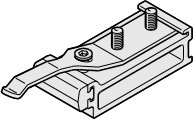
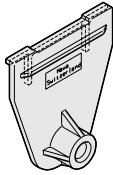


### Sliding glass doors



Required glass cut outs



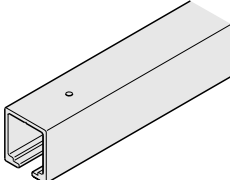
**Fitting for 1-leaf sliding doors, without guide track, without floor guide**

<b>Set</b>			<b>941.20.000</b>
consisting of:			
	Running gear 2-wheel	2 Pieces	941.20.012
	Suspension screw M12 and mounting screws	2 Pieces	941.20.023
	Point fixing	2 Pieces	940.40.026
	Track buffer with adjustable retainer	2 Pieces	941.20.041
	One-way drilling jig	1 Piece	940.40.094
	Rubber wall buffer	1 Piece	940.40.051
	Height adjusting pin	1 Piece	940.40.090

Catalogue numbers refer to 1 piece. When ordering individual components, please specify the required quantity. For 2-leaf sliding doors, please order 2 sets for 1-leaf sliding doors.

**The floor guide and cover caps need to be ordered separately.**

**Running track, drilled**

	2500 mm	941.20.250
	3000 mm	941.20.300
	4000 mm	941.20.400
	6000 mm	941.20.600
	Manufactured to size	941.20.999

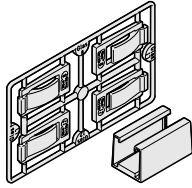
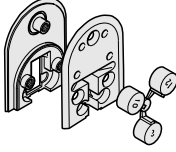
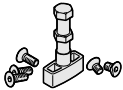

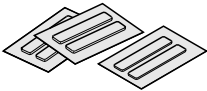
**Sliding Door Fittings**

**Sliding glass doors**

**Floor guides and cover caps**  
..... page 94.66

**Accessories**  
Sliding door lock Toplock  
..... page 94.68  
Junior 120/GP / Fixed glass  
..... page 94.71

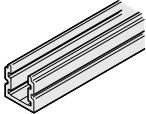
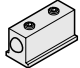
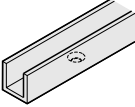
### Floor guides

	Floor guide free of play for glass thicknesses 8, 10, 12 (12.7) mm	940.40.032
	Point fixing with glass retainer suitable for the guide glide	940.40.026
	Guide glide with mounting screws suitable for point fixing	940.40.035
	Self adhesive glide elements for glass thickness 8 mm, set of 6 pieces	940.40.033
	Self adhesive glide elements for glass thickness 10 mm, set of 6 pieces	940.40.034

### Sliding Door Fittings

#### Sliding glass doors

### Guide tracks and buffers

	Guide track 24 x 24 mm	6000 mm	940.81.600
		Manufactured to size	940.81.999
	Buffer for guide track (24 x 24 mm)		940.80.051
	Guide track 20 x 20 x 3 mm	2500 mm	941.00.925
		3500 mm	941.00.935
		6000 mm	941.00.960
		Manufactured to size	941.00.997



Plastic chrome plated matt



Plastic brass plated polished



Plastic stainless steel effect

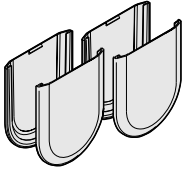


Plastic chrome plated polished



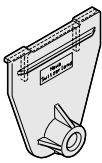
Plastic unfinished

### Cover caps

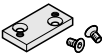


Plastic chrome plated matt	Set of 4 pieces	940.40.027
Plastic brass plated polished	Set of 4 pieces	940.40.028
Plastic stainless steel effect	Set of 4 pieces	940.40.023
Plastic chrome plated polished	Set of 4 pieces	940.41.029
Plastic unfinished	1 Piece	940.41.023

### Additional components



Multiway drilling jig 940.40.095



Spacer for floor guide (free of play) 940.40.036

### Fitting instruction

Please request the fitting instruction M 1:1 for planning and installation.

Fitting instruction	732.29.018
---------------------	------------

## Sliding Door Fittings

### Sliding glass doors