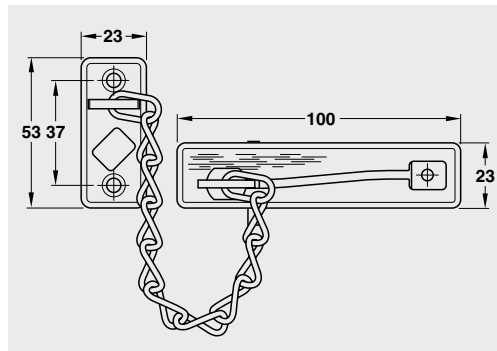


## Door Chain



### Features

- For wooden doors
- With sprung-loaded bolt:
  - Child safety device
  - When attempting to open, the chain is blocked
- Frame component with suspension possibility for the chain
- Chain welded

### Supplied with

- 1 Track
- 1 Frame component with chain
- 1 Set fixing material



Steel brass plated



Steel nickel plated

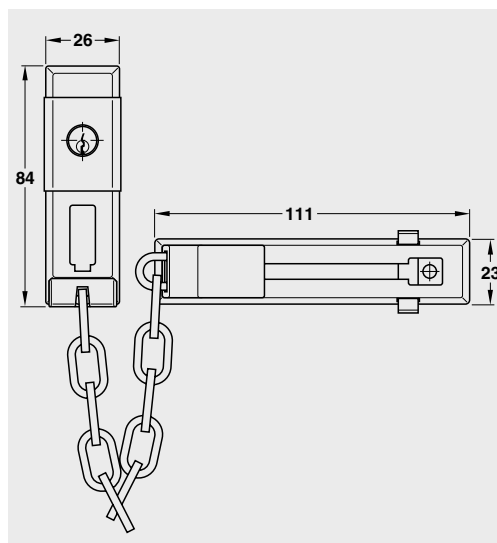
Steel brass plated	911.60.022
Steel nickel plated	911.60.023

## Door Locks and Door Bolts

### Security fittings

for external apartment doors and front doors

## Door Chain



### Features

- For wooden doors
- With child safety device
- Can be unlocked with the key from outside
- With high-quality cylinder 4-tumbler
- Very user friendly due to the rotating cylinder
- Frame component with suspension possibility for the chain
- Chain hardened

### Supplied with

- 1 Track
- 1 Frame component with chain
- 2 Keys
- 1 Set fixing material



Zinc diecast white lacquered



Zinc diecast silver colour



Steel white lacquered



Steel silver colour



Steel brass plated



Steel nickel plated

Finish	(A)	(B)
Track and frame component	Zinc diecast white lacquered	Zinc diecast silver colour
Cylinder housing	Steel white lacquered	Steel silver colour
Chain	Steel brass plated	Steel nickel plated

(A)	911.60.020
(B)	911.60.021