

Door closers Häfele DCL 21, EN 3

HÄFELE



Features

- Variably adjustable closing speed
- Latching action variably adjustable
- With backcheck
- With interlocking hold-open unit
- Suitable for DIN right hand and DIN left hand

Fireproof and smoke control

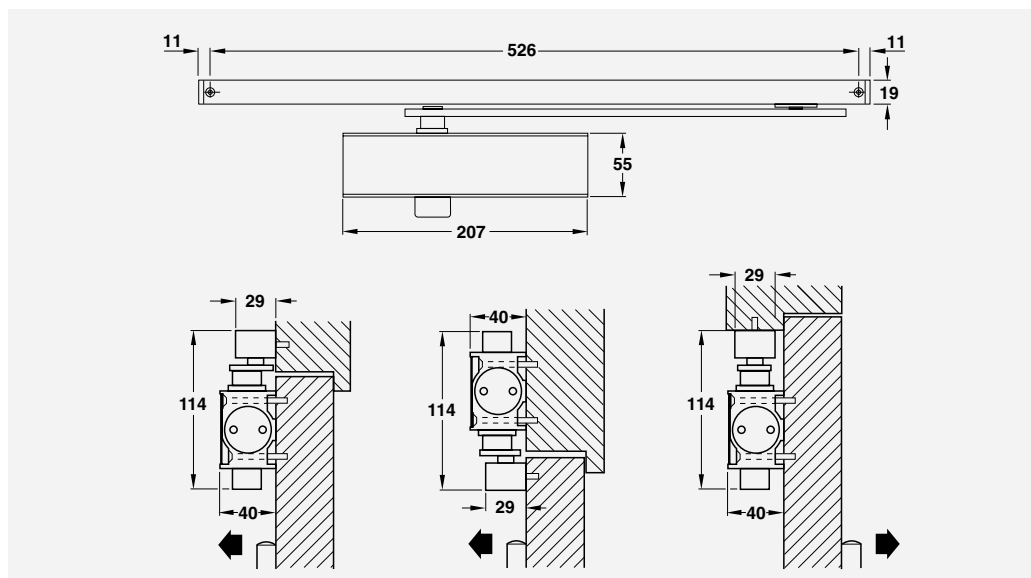
- Use not permitted on fireproof and smoke control doors

Technical data

- Closing force complying with EN 1154 3
- max. door leaf width 1100 mm
- max. door opening angle approx. 180°
- max. door leaf weight 80 kg

Fixing

- Suitable for standard or vertical fixing on the pull side and head jamb fixing on the push side



silver colour		
DCL 21	<input checked="" type="checkbox"/>	931.84.129

Door closers complete with slide channel

Door Closers

Overhead positioned door closers

Slide channel