

Door closers Häfele DCL 15, DCL 16, EN 4

HÄFELE



Features

- Variably adjustable closing speed
- Latching action variably adjustable
- Optional with standard arm assembly or arm of interlocking hold-open device
- Suitable for DIN right hand and DIN left hand

Fireproof and smoke control

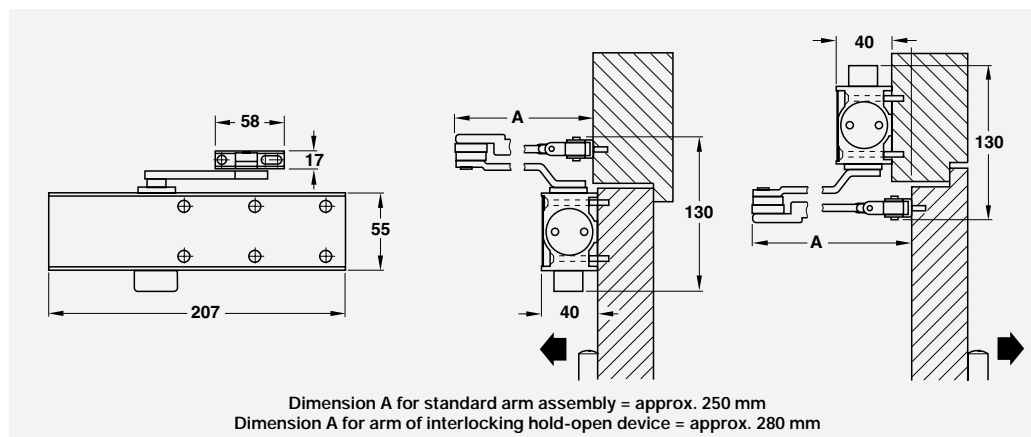
- Use not permitted on fireproof and smoke control doors

Technical data

- Closing force complying with EN 1154 4
- max. door leaf width 1100 mm
- max. door opening angle approx. 180°
- max. door leaf weight 80 kg

Fixing

- Suitable for standard fixing on the pull side and vertical fixing on the push side



silver colour	
DCL 15 with standard arm assembly <input checked="" type="checkbox"/>	931.84.629
DCL 16 with arm of interlocking hold-open device <input checked="" type="checkbox"/>	931.84.639

Door closers complete with arm assembly

Door Closers

Overhead positioned door closers

Arm assembly